



Certified quality - Made in Germany



Up-and-Over Garage Doors

Europe's best-selling garage door



Individual designs

The garage door for the highest architectural demands



With style 905, you can create a garage front to fit your own ideas and personal architectural style. A steel frame construction for on-site infill is a solid technical basis to build on. You can pick an infill to fit your individual style. No other garage door can be integrated so harmoniously into the overall facade.



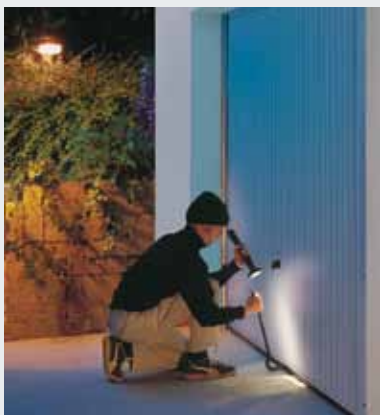
Colours and surfaces to choose

The galvanized door leaves are protected against corrosion and the adverse effects of the environment right into the cut edges.

Our steel styles are available in inexpensive Traffic white as standard, in 7 equally-priced preferred colours, as well as about 200 colours based on RAL.



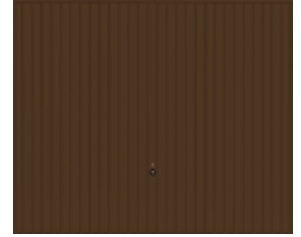
Styles 902 and 905 also come with a practical wicket door that provides you with good access to everything in the garage, without the need to open the entire door.



Safety and convenience for you and your family



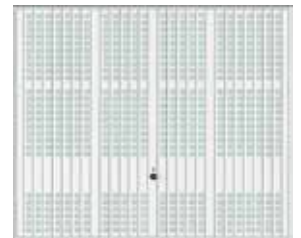
Style 902
Door width up to 5000 mm
Wicket door and side door also available



Style 902, terra brown RAL 8028
Door width up to 5000 mm
Wicket door and side door also available



Style 905
Door width up to 5000 mm
Wicket door and side door also available



Style 914
Steel ribbing with ventilation slots
Door width up to 5000 mm
Ideal for underground and collective garages

You can be completely sure

Flexible protective caps (Fig. 1) on the lever arm are just one example of the numerous safety options for our up-and-over doors. They completely cover the hazard area, thus preventing accidental crushing or trapping. Only Hörmann's up-and-over doors have such a high safety standard.

Safety in numbers

The multiple spring system (Fig. 2) reliably secures the door against falling. If one of the springs breaks, the other intact springs support the door. The distance between the spring windings is so minimal that even children's fingers are protected from getting caught.

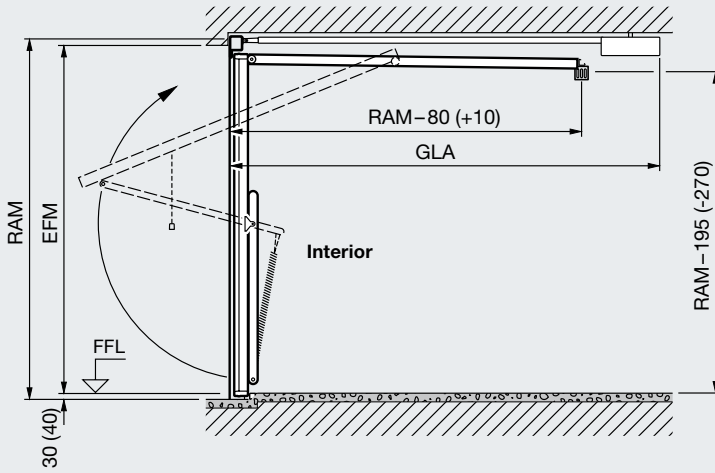
Conveniently closed

When closing, a specially-formed lever arm (Fig. 3) presses the door against the frame tightly and pulls itself closed, leaving no gap between the door and frame. The door is tightly closed on all sides.

Improved security

The unique rotary catch lock (Fig. 4) in Hörmann's up-and-over doors firmly fixes the corners of the door leaf to the frame, locking it much more securely than a common bolt lock. It is practically impossible to force the door open. You yourself can additionally equip the door with a top locking using an optional retrofitting kit.

Dimensions and Fitting Data

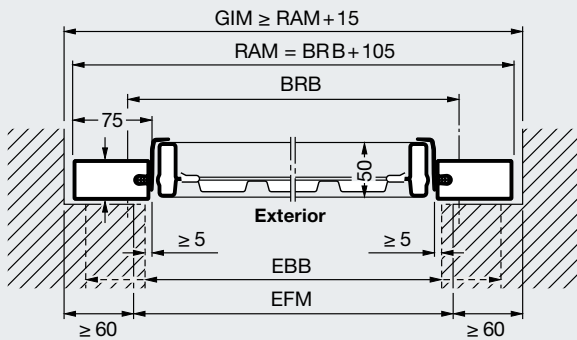


Total length with operator (GLA)
 3200 mm up to door height 2500 mm ProMatic/SupraMatic;
 3450 mm up to door height 2750 mm ProMatic/SupraMatic

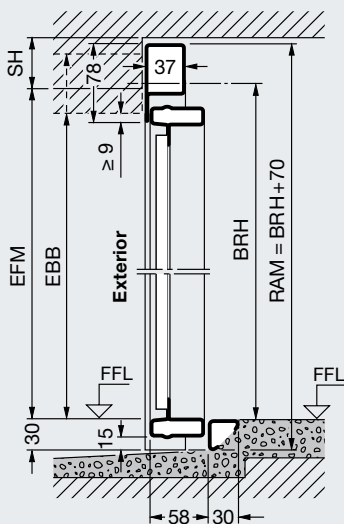
Dimensions in brackets = door type DF 98

Door type N80 for single garages

Horizontal view Fitting behind the opening

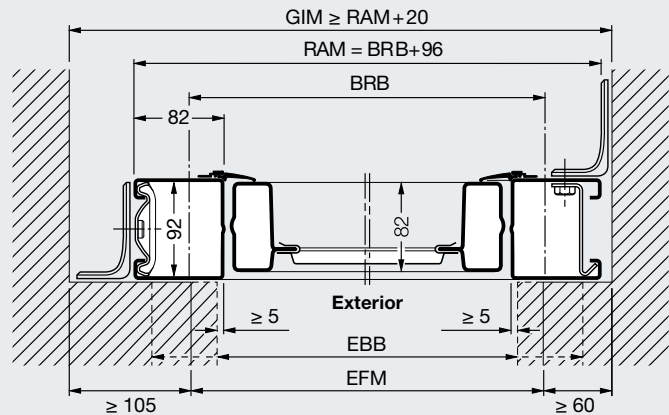


Vertical view Door with threshold

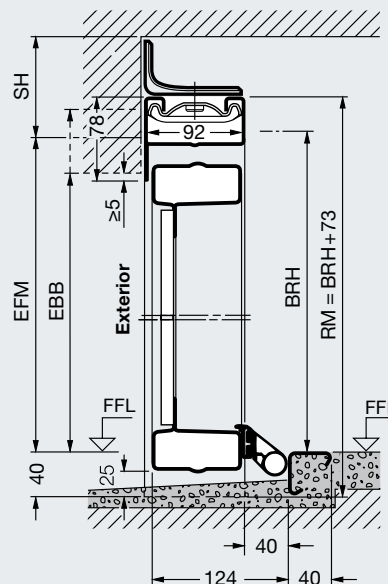


Door type DF 98 for double garages

Horizontal view Fitting behind the opening



Vertical view Door with threshold



Maximum size range (depending on the door style)

| | | | | | | | | | | | | | |
|-------------------|------|--|------|------|------|------|------|------|------|------|------|------|------|
| Door height (BRH) | 2750 | | | | | | | | | | | | |
| | 2625 | | | | | | | | | | | | |
| | 2500 | | | | | | | | | | | | |
| | 2375 | | | | | | | | | | | | |
| | 2250 | | | | | | | | | | | | |
| | 2125 | | | | | | | | | | | | |
| | 2000 | | | | | | | | | | | | |
| | 1875 | | | | | | | | | | | | |
| | | | 2000 | 2250 | 2500 | 2625 | 3000 | 3250 | 3500 | 3750 | 4000 | 4500 | 4750 |
| Door width (BRB) | | | | | | | | | | | | | |

N 80
DF 98

Explanation of dimensions

- Ordering size**
- BRB Nominal size width
 - BRH Nominal size height
 - RAM B Overall frame dimension width
 - RAM H Overall frame dimension height
 - LDB Clear passage width
 - LDH Inside garage dimension
 - GIM Garageninnenmaß
 - EFM Recommended structural dimension
 - FM Structural dimension
 - EBB Fitting area
 - GLA Overall length with operator
 - SH Headroom
- N 80**
with steel infill ≥ 50 mm
Style 905, 941 ≥ 65 mm
with timber infill ≥ 65 mm

N80 standard sizes for single garages (depending on the door style)

| Ordering size | | Overall frame dimension | | Clear passage dimension* | |
|---------------|------|-------------------------|-------|--------------------------|------|
| BRB | BRH | RAM B | RAM H | LDB | LDH |
| 2250 | 1920 | 2355 | 1990 | 2110 | 1800 |
| | 2000 | 2355 | 2070 | 2110 | 1880 |
| | 2075 | 2355 | 2145 | 2110 | 1955 |
| | 2125 | 2355 | 2195 | 2110 | 2005 |
| 2375 | 1920 | 2480 | 1990 | 2235 | 1800 |
| | 2000 | 2480 | 2070 | 2235 | 1880 |
| | 2075 | 2480 | 2145 | 2235 | 1955 |
| | 2125 | 2480 | 2195 | 2235 | 2005 |
| | 2250 | 2480 | 2320 | 2235 | 2130 |
| 2500 | 2375 | 2480 | 2445 | 2235 | 2255 |
| | 1920 | 2605 | 1990 | 2360 | 1800 |
| | 2000 | 2605 | 2070 | 2360 | 1880 |
| | 2075 | 2605 | 2145 | 2360 | 1955 |
| | 2125 | 2605 | 2195 | 2360 | 2005 |
| | 2250 | 2605 | 2320 | 2360 | 2130 |
| | 2375 | 2605 | 2445 | 2360 | 2255 |
| 2625 | 2500 | 2605 | 2570 | 2360 | 2380 |
| | 2750 | 2605 | 2820 | 2360 | 2630 |
| 2750 | 2125 | 2730 | 2195 | 2485 | 2005 |
| | 2000 | 2855 | 2070 | 2610 | 1880 |
| 3000 | 2125 | 2855 | 2195 | 2610 | 2005 |
| | 2000 | 3105 | 2070 | 2860 | 1880 |
| | 2125 | 3105 | 2195 | 2860 | 2005 |

DF 98
without operator ≥ 90 mm
with operator ≥ 100 mm

Doors with modernisation panels
The structural width may be reduced by max. 10 mm. The structural height may be reduced by max. 10 mm if fitting with a threshold. Add 30 mm to the structural dimension for doors with uninterrupted flat floor lines (frame from FFL).

Please note:
* Clear passage dimension for doors with threshold

DF 98 standard sizes for double garages (depending on the door style)

| Ordering size | | Overall frame dimension | | Clear passage dimension* | |
|---------------|------|-------------------------|-------|--------------------------|------|
| BRB | BRH | RAM B | RAM H | LDB | LDH |
| 4000 | 2000 | 4096 | 2073 | 3840 | 1820 |
| | 2125 | 4096 | 2198 | 3840 | 1945 |
| 4500 | 2000 | 4596 | 2073 | 4340 | 1820 |
| | 2125 | 4596 | 2198 | 4340 | 1945 |
| | 2250 | 4596 | 2323 | 4340 | 2070 |
| 5000 | 2000 | 5096 | 2073 | 4840 | 1820 |
| | 2125 | 5096 | 2198 | 4840 | 1945 |

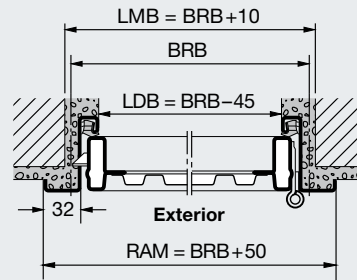
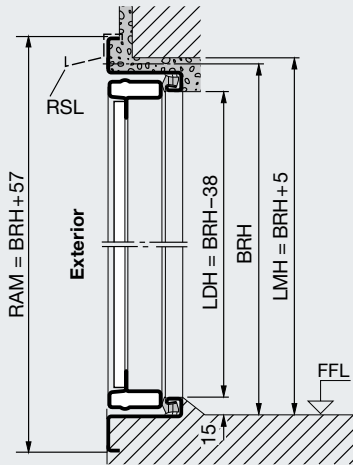
Dimensions and Fitting Data

Side doors

Side door, single-leaf

Vertical view Door with threshold

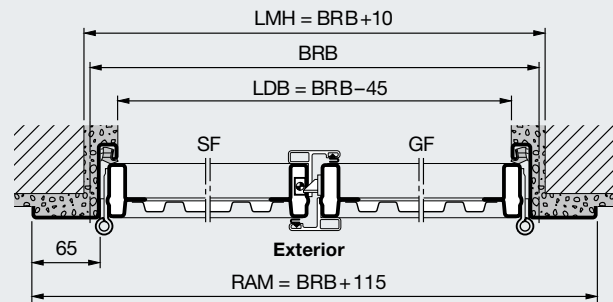
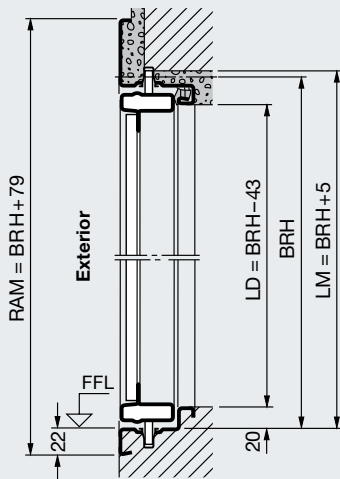
Horizontal view



Side door, double-leaf

Vertical view Door with threshold

Horizontal view



Side door, single-leaf

Standard sizes

| Ordering size | | Structural opening | | Clear passage dimension with threshold * | | Lever height |
|---------------|------|--------------------|------|--|------|--------------|
| BRB | BRH | LMB | LMH | LDB | LDH | from FFL |
| 875 | 1875 | 885 | 1880 | 830 | 1837 | 987,5 |
| | 2000 | 885 | 2005 | 830 | 1962 | 1050 |
| | 2125 | 885 | 2130 | 830 | 2087 | 1112,5 |
| 1000 | 2000 | 1010 | 2005 | 955 | 1962 | 1050 |
| | 2125 | 1010 | 2130 | 955 | 2087 | 1112,5 |

Special sizes and versions on request.
Max. size range (BR): 1250 x 2375 mm.

Standard sizes with steel infill and on-site infill doors are supplied for external fitting as standard.
Internal fitting is possible by reversing the hinges.
Styles with timber infill overlapping the frame are only possible with external fitting.

Block frame for fitting in the opening:
dimensions and versions on request.

Explanation of dimensions

| Ordering size | |
|--|--------------------------------|
| BRB | Nominal size width |
| BRH | Nominal size height |
| LMB | Structural opening width |
| LMH | Structural opening height |
| RAM B | Overall frame dimension width |
| RAM H | Overall frame dimension height |
| LDB | Clear passage width |
| LDH | Clear passage height |
| The clear passage width is reduced if the opening angle is less than 180°. | |
| RSL | Rain canopy |
| SF | Fixed leaf |
| GF | Traffic leaf |
| * | LDH without threshold + 15 mm |

Side door, double-leaf

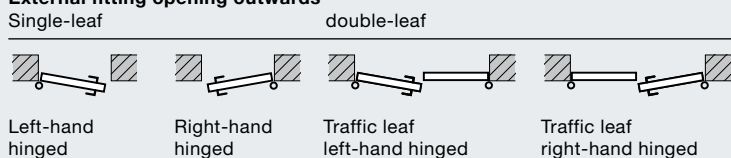
Size range

Width (BRB) 1300 to 2500 mm
Height (BRH) 1750 to 2250 mm

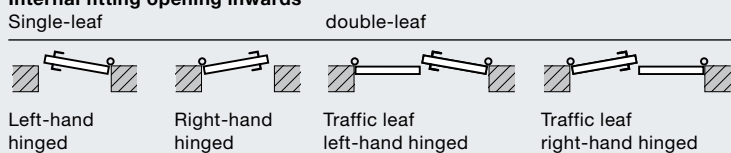
Block frame for fitting in the opening:
dimensions and versions on request.
As standard delivered for external fitting, traffic leaf on right hand side, state on order if internal fitting or traffic leaf on left hand side is required!

Fitting variants

External fitting opening outwards



Internal fitting opening inwards



With doors fitted on the inside, the threshold angle or transport angle must always be removed and a water run-off to the outside must be provided.
Doors on the weather side are preferably fitted externally.

Hörmann: Quality without Compromise



Hörmann KG Amshausen, Germany



Hörmann KG Antriebstechnik, Germany



Hörmann KG Brandis, Germany



Hörmann KG Brockhagen, Germany



Hörmann KG Dissen, Germany



Hörmann KG Eckelhausen, Germany



Hörmann KG Freisen, Germany



Hörmann KG Ichtshausen, Germany



Hörmann KG Werne, Germany



Hörmann Genk NV, Belgium



Hörmann Alkmaar B.V., Netherlands



Hörmann Legnica Sp. z o.o., Poland



Hörmann Beijing, China



Hörmann Tianjin, China



Hörmann LLC, Montgomery IL, USA



Hörmann Flexon, Leetsdale PA, USA

Hörmann is the only manufacturer worldwide that offers you a complete range of all major building products from one source. We manufacture in highly-specialised factories using the latest production technologies. The close-meshed network of sales and service companies throughout Europe, and activities in the USA and China, make Hörmann your strong partner for first-class building products, offering "Quality without Compromise".

GARAGE DOORS
OPERATORS
INDUSTRIAL DOORS
LOADING EQUIPMENT
HINGED DOORS
DOOR FRAMES

